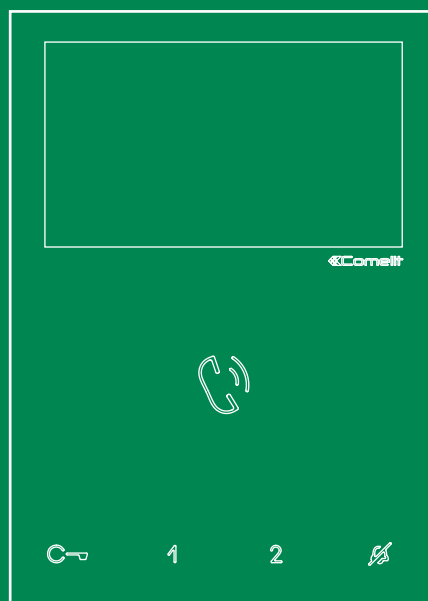
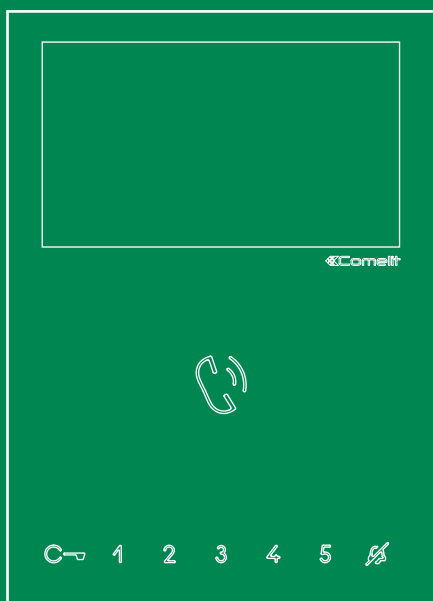


EN

TECHNICAL  
MANUAL



ViP Mini hands-free monitor  
art. 6721W

 **Comelit**<sup>®</sup>  
Passion. Technology. Design.

# Table of contents

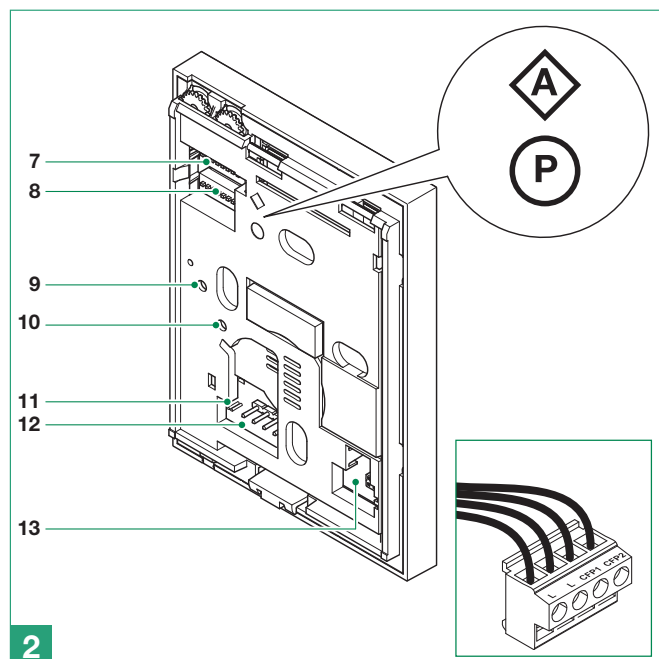
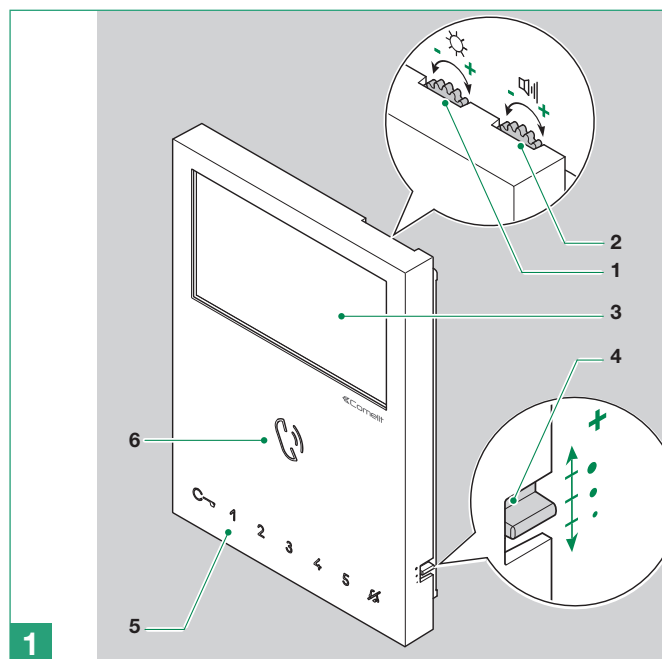


|  |           |
|--|-----------|
| <b>Monitor description</b> .....   | <b>3</b>  |
| Soft-touch key description.....  | 4         |
| Indicator LED description.....   | 4         |
| <b>Technical specifications</b> .....                                    | <b>5</b>  |
| <b>Installation</b> .....  | <b>7</b>  |
| Removing / Fitting the terminal .....                                    | 8         |
| <b>Connections</b> .....   | <b>8</b>  |
| <b>Monitor configuration</b> .....                                       | <b>9</b>  |
| Standard configuration for soft-touch keys .....                         | 9         |
| Activation/deactivation automatic answer mode .....                      | 9         |
| Configuration of Main and Secondary internal units - Dip 8 of S2 ....    | 10        |
| Power supply configuration and management - Dip 7 of S2 .....            | 10        |
| <b>Advanced monitor configuration</b> .....                              | <b>11</b> |
| Warning.....   | 11        |
| Programming for intercom call.....                                       | 11        |
| Programming/deleting intercom address<br>(selective intercom only) ..... | 11        |
| Programming buttons for intercom call .....                              | 12        |
| Direct programming of intercom call .....                                | 13        |
| Programming keys for generic or coded actuator .....                     | 14        |
| Programming buttons for other functions.....                             | 15        |
| Programming range .....  | 16        |
| Monitor ringtone selection .....   | 16        |
| Programming reset .....  | 17        |
| <b>System performance and layouts</b> .....                              | <b>17</b> |

# Monitor description

The Mini Vivavoce series is comprised of hands-free monitors that can be used in “Building Kit” (exclusively 2 wire), Simplebus Top and Kit Video systems.

- Article 6721W is a colour monitor equipped as standard with 5 buttons (3 additional buttons can be added with the accessory Art. 6734W)
- Article 6721W/BM is a colour monitor equipped as standard with 5 buttons (3 additional buttons can be added with the accessory Art. 6734W) and induction loop. Not supplied with backplate 6710.



## 1. Brightness control

- ▶ To increase the value, turn clockwise

## 2. Loudspeaker volume control

- ▶ To increase the value, turn clockwise

## 3. 4.3” LCD colour screen

## 4. Call volume adjustment (high - medium - low)

## 5. Soft-touch keys

## 6. Speaker and audio activation key

## 7. S1 ⬠ Micro-switches for user code setting (see [“addressing table”](#))

## 8. S2 ⊕ Micro-switches for programming keys and functions

**DIP 1-2-3-4** for key function programming

**DIP 5-6** access to programming

**DIP 7** for management of power supply voltage, see [“Power supply configuration and management”](#)

**DIP 8** for main and secondary monitor setting, see [“Configuration of Main and Secondary internal units”](#)

## 9. Factory setting - **DO NOT CHANGE!**

## 10. Factory setting - **DO NOT CHANGE!**

## 11. CV 5 Jumper for video closure. In systems with more than one monitor connected in cascade, only the monitor furthest away must have CV5 closed.

## 12. Pin for securing terminal block

## 13. Space for housing additional keys (Art. 6734W)

### Terminal block for system connection

**LL** Bus line connection terminals

**CFP1 CFP2** Outside door call input

## Soft-touch key description

- ▶ Press the desired key once to activate the function associated with it



*Wait for approximately 1 sec. before pressing the same key again. Pressing the same key several times in quick succession will cancel the command.*

 Lock-release key

1 Key 1 Actuator function (programmable)

2 Key 2 Self-ignition function (programmable)

 Privacy key

3 4 5 Additional keys (programmable)

KIT with additional keysi Art. 6734W sold separately

 Audio activation key

## Indicator LED description

 Lock-release LED

**slow flashing:** door open;

**1 flash after pressing:** door opening confirmation

**continuous flashing:** call in progress.

 Privacy LED (red)

**steady:** privacy function enabled

**3 flashes (every 5 sec.):** doctor function enabled

**continuous flashing:** device in programming mode

**4 flashes:** system engaged

 LED AUDIO (6)

**steady (with call):** audio activated

**steady (idle):** automatic answer activated

**continuous flashing:** incoming call



*The monitor Art. 6721W is designed for use in colour systems, in the SB2 section downstream of Art. 4888C, or in systems without mixer, such as the system with 2-wire KIT or Art. 1210.*

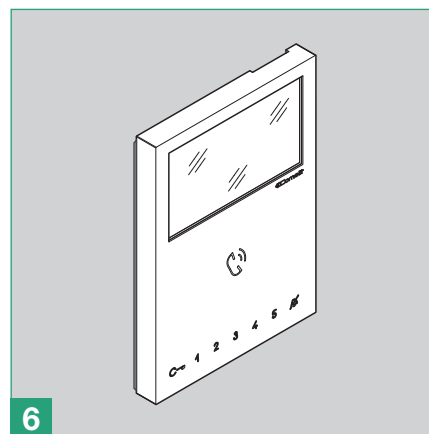
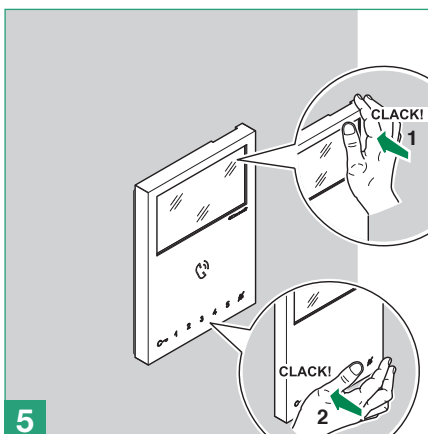
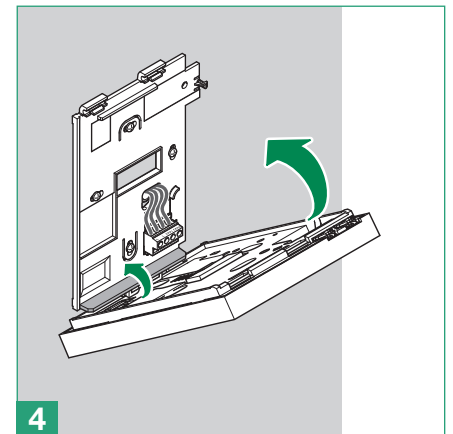
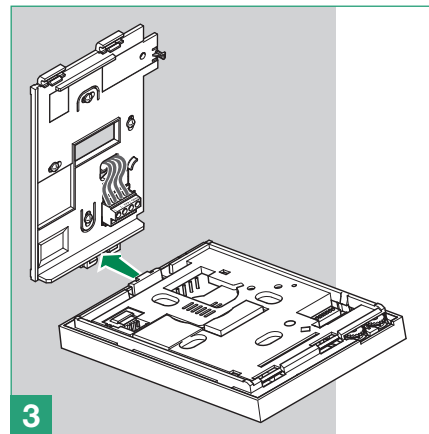
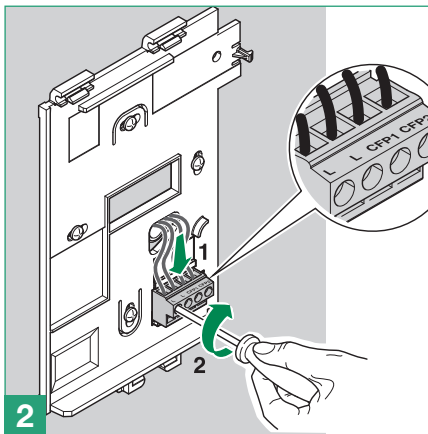
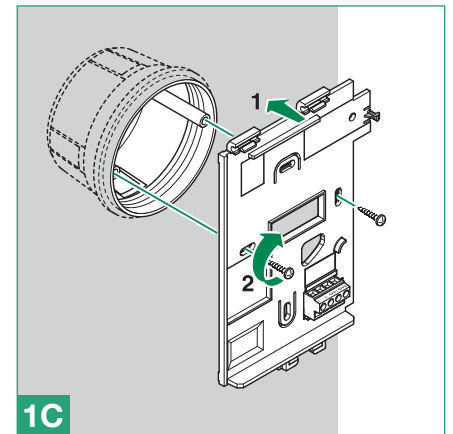
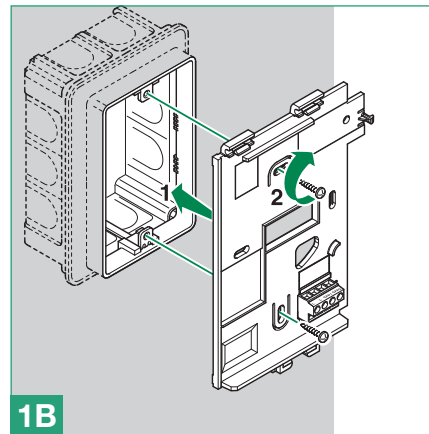
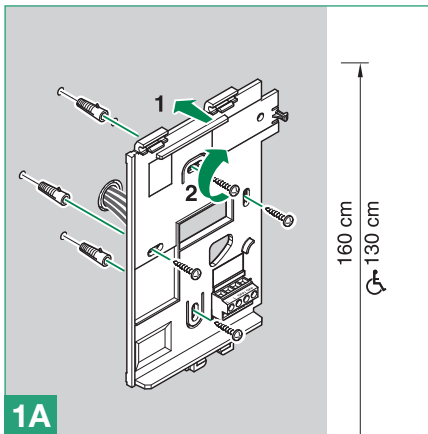
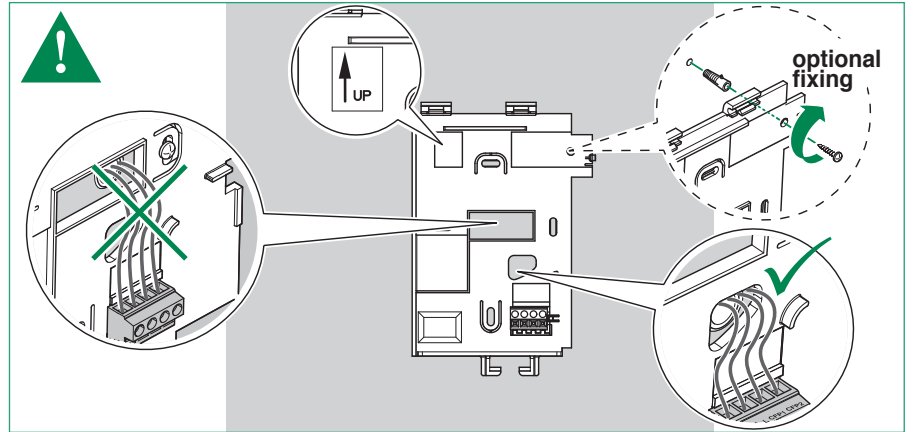
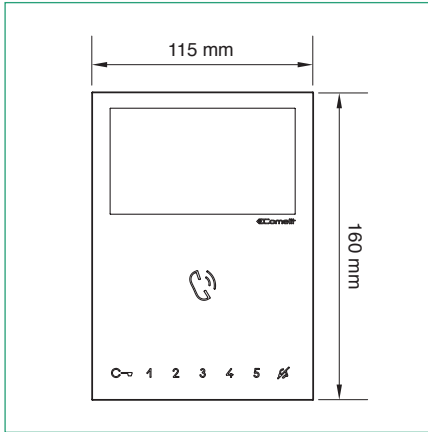
# Technical specifications

| MAIN SPECIFICATIONS        |              |              |
|----------------------------|--------------|--------------|
|                            | 6721W        | 6721W/BM     |
| Audio/video system         | Yes          | Yes          |
| Wall-mounted               | Yes          | Yes          |
| Desk base-mounted          | Yes          | Yes          |
| Hands-free function        | Yes          | Yes          |
| Induction loop function    | -            | Yes          |
| Type of display            | LCD          | LCD          |
| Display size (inches)      | 4,3" 16/9    | 4,3" 16/9    |
| Display resolution (H x V) | 480x272pixel | 480x272pixel |
| B/W or colour display      | Color        | Colors       |
| Product colour             | White        | White        |
| Sensitive Touch technology | Yes          | Yes          |
| Total buttons              | 5            | 5            |
| Additional buttons         | 3            | 3            |
| LED signaling              | 3            | 3            |
| Backlighting color         | White        | White        |
| FUNCTIONS                  |              |              |
| Actuator control function  | Yes          | Yes          |
| Self-ignition              | Yes          | Yes          |
| Switchboard call function  | Yes          | Yes          |
| Panic call                 | Yes          | Yes          |
| Intercom function          | Yes          | Yes          |
| Selective intercom call    | Yes          | Yes          |
| Call to multiple addresses | Yes          | Yes          |
| Privacy function           | Yes          | Yes          |
| Doctor                     | Yes          | Yes          |
| Floor door call function   | Yes          | Yes          |
| Electronic bell            | Yes          | Yes          |
| Customisable ringtone      | Yes          | Yes          |
| Receiving text messages    | -            | Yes          |
| Images reception           | -            | Yes          |
| HARDWARE SPECIFICATIONS    |              |              |
| Removable terminals        | Yes          | Yes          |
| SETTINGS                   |              |              |
| Loudspeaker volume control | Yes          | Yes          |
| Microphone volume control  | Yes          | Yes          |
| Ringtone volume control    | Yes          | Yes          |
| Display brightness control | Yes          | Yes          |
| Display contrast control   | Yes          | Yes          |
| Display colour control     | Yes          | Yes          |
| GENERAL INFO               |              |              |
| Product height (mm)        | 160          | 160          |
| Product width (mm)         | 115          | 115          |
| Product depth (mm)         | 22           | 22           |

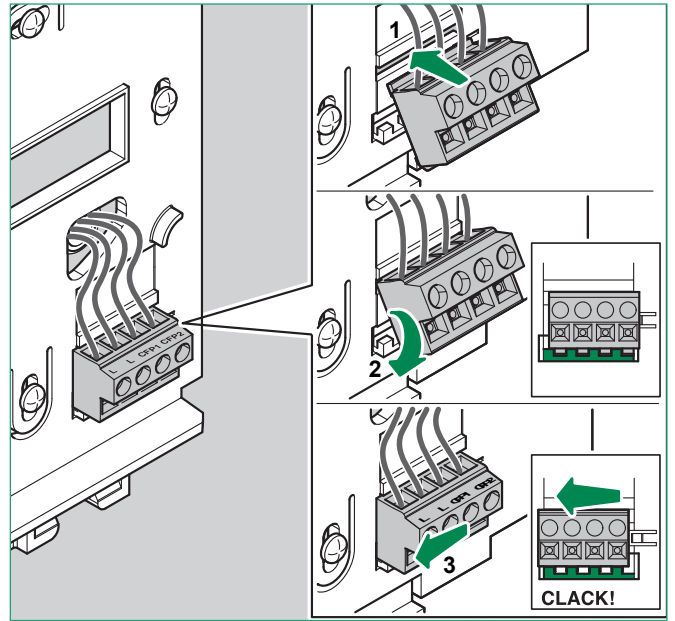
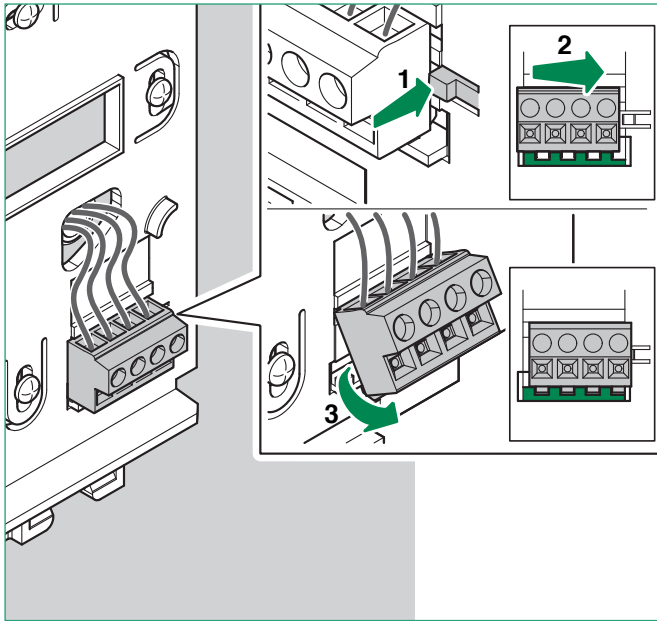
**TECHNICAL SPECIFICATIONS****6721W****6721W/BM**

|                                 |                    |                    |
|---------------------------------|--------------------|--------------------|
| Power supply voltage            | 22÷28Vdc           | 22÷28Vdc           |
| Absorption                      | 2                  | 2                  |
| Maximum current absorption (mA) | 325                | 325                |
| Microphone                      | 6mm omni-direction | 6mm omni-direction |
| Loudspeaker                     | 36mm 40Ohm 1W      | 36mm 40Ohm 1W      |
| IP Rating                       | 30                 | 30                 |
| Operating temperature (°C)      | -5÷40              | -5÷40              |
| Relative humidity for operation | 25 - 75 %          | 25 - 75 %          |
| Video encoding                  | PAL / NTSC         | PAL / NTSC         |
| Product weight (g)              | 0,533              | 0,533              |
| Clamps                          | L L CFP1 CFP2      | L L CFP1 CFP2      |

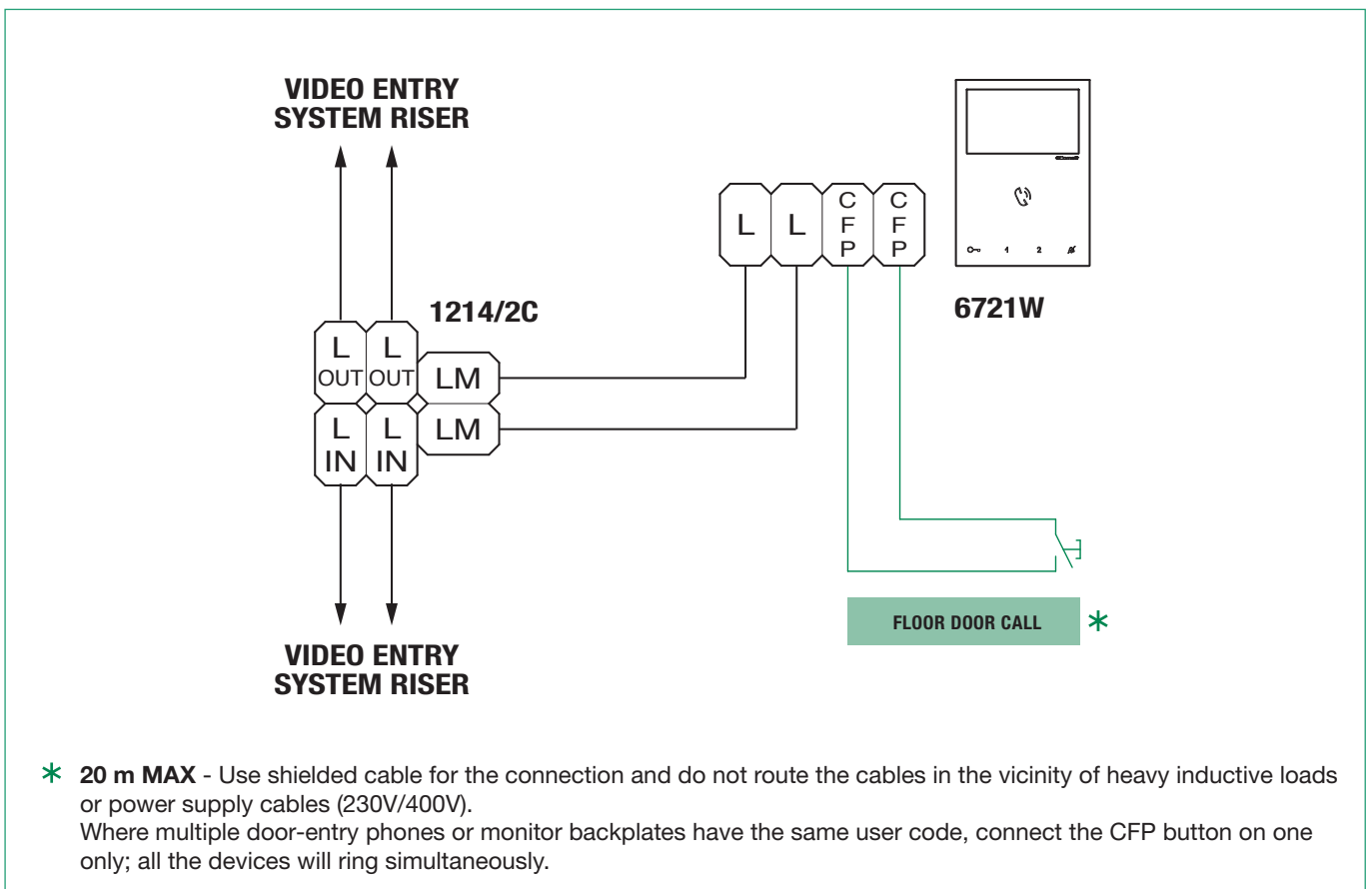
# Installation



## Removing / Fitting the terminal



## Connections





# Monitor configuration

## Standard configuration for soft-touch keys

| DIP S2 |       |       |       |      |      |      | Art. 6721W(/BM) + Art. 6734 |      |      |      |  |
|--------|-------|-------|-------|------|------|------|-----------------------------|------|------|------|--|
| DIP 1  | DIP 2 | DIP 3 | DIP 4 | P1   | P2   |      | P3                          | P4   | P5   |      |  |
| 0      | 0     | 0     | 0     | ACT  | AI   |      | CCS                         | D    | PAN  |      |  |
| 1      | 0     | 0     | 0     | CCS  | AI   |      | INT                         | INTb | D    |      |  |
| 0      | 1     | 0     | 0     | INT  | AI   |      | INTb                        | ACT  | CCS  |      |  |
| 1      | 1     | 0     | 0     | ACT  | CCS  |      | CCP                         | PAN  | K    |      |  |
| 0      | 0     | 1     | 0     | ACT  | ACT  | ACT  | ACT                         | ACT  | ACT  |      |  |
| 1      | 0     | 1     | 0     | INT  | ACT  |      | CCS                         | CCP  | INTb |      |  |
| 0      | 1     | 1     | 0     | AI   | D    |      | K                           | CCS  | CCP  |      |  |
| 1      | 1     | 1     | 0     | INTb | INT  | AI   | INT                         | PAN  |      |      |  |
| 0      | 0     | 0     | 1     | CCS  | PAN  |      | D                           | AI   | INTb |      |  |
| 1      | 0     | 0     | 1     | K    | CCS  |      | PAN                         | CCP  | AI   |      |  |
| 0      | 1     | 0     | 1     | CCP  | K    | PAN  | ACT                         | INT  |      |      |  |
| 1      | 1     | 0     | 1     | PAN  | CCP  | CCS  | K                           | ACT  |      |      |  |
| 0      | 0     | 1     | 1     | INTb | AI   | INT  | ACT                         | D    |      |      |  |
| 1      | 0     | 1     | 1     | INT  | INT  | INT  | INT                         | INT  |      |      |  |
| 0      | 1     | 1     | 1     | NULL | NULL | NULL | NULL                        | NULL | NULL |      |  |
| 1      | 1     | 1     | 1     |      |      |      |                             |      |      | PROG |  |

Standard configuration for DIP switches 1-2-3-4

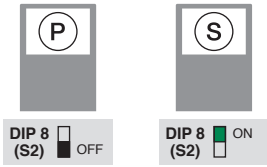
| Legend |  |
|--------|--|
|        | Lock- release  |
| ACT    | Actuator   |
| AI     | Self-ignition  |
| CCP    | Main switchboard call – not for use in systems with KIT  |
| CCS    | Secondary switchboard call – not for use in systems with KIT   |
| K      | Guardian doentry phone call  |
| D      | Doctor   |
| PAN    | Panic – not for use in systems with KIT  |
| INT    | Programmable intercom, general or selective - standard singlefamily calling for KIT and Simplebus Top  |
| INTb   | Two-family intercom - for KIT only   |
| NULL   | No function  |
| PROG   | Programmed functions, see <a href="#">“Advanced monitor configuration”</a> .<br>In this Dip switch setting, the buttons control the programmed functions; the NON-programmed buttons control functions referred to on line 0000 (default). |

### Activation/deactivation automatic answer mode

- ▶ Press on the audio activation key for 10 sec
  - » (ACTIVATION) + audio LED with FIXED ILLUMINATION
  - » (DEACTIVATION) + audio LED OFF

## Configuration of Main and Secondary internal units - Dip 8 of S2

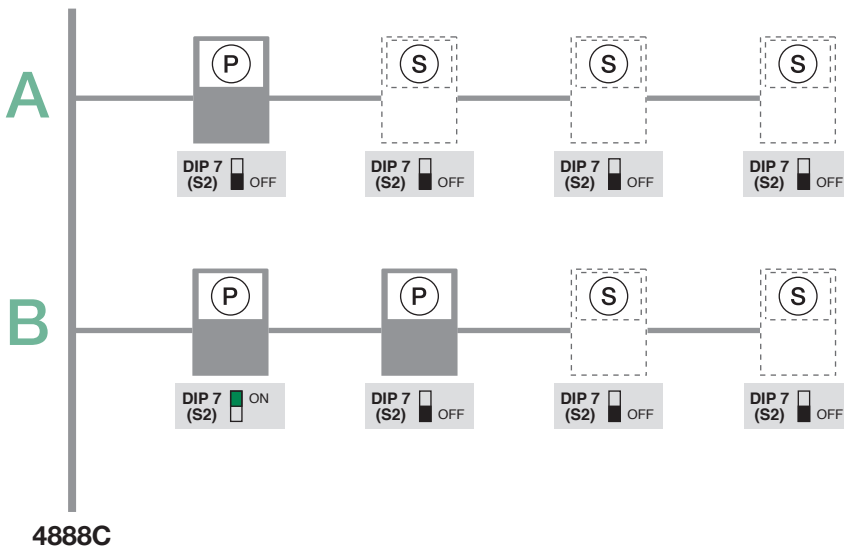
- ▶ To configure an internal unit as the main unit, set **DIP8** of **S2** to **OFF**.
- ▶ To configure an internal unit as a secondary unit, set **DIP8** of **S2** to **ON**.



*In systems with Art. 1209 or Art. 1210, you can configure a maximum of 1 main monitor, while in systems with Art. 4888C you can configure a maximum of 2 main monitors.*

## Power supply configuration and management - Dip 7 of S2

- ▶ For correct power management, the DIP switch should be set in accordance with the type of system and its configuration:
  - **in systems with power supply units 1209 and 1210:** always set the DIP switch to **ON**
  - **in systems with power supply unit 4888C:** for secondary internal units, always set the DIP switch to **OFF**, for main internal units, follow the indications given in the examples in the figure below:
    - 1 main internal unit,
    - 2 main internal units.



## Advanced monitor configuration

### Warning

If the default settings (see [“Standard configuration for soft-touch keys”](#)) do not reflect requirements, the keys can be programmed differently by carrying out the steps below.

At the end, set S2 DIP switches 1-2-3-4 to the combination 1111 (PROG setting in the configuration tables [“Advanced monitor configuration”](#)). In this dip switch setting, the keys control the programmed functions; the NON-programmed keys control functions referred to on line 0000 (see [“Standard configuration for soft-touch keys”](#)). Restore the user code setting on S1, see [“addressing table”](#).

### Programming for intercom call



*General intercom: function allowing calls to one or more internal units identified by the same call address as used by the external unit.*

*Selective intercom: function allowing calls to one or more internal units identified by a dedicated call address (see [table B](#) which is different from the one used by the external unit.*

*General and selective intercoms CANNOT be used together on the same riser.*

### Programming/deleting intercom address (selective intercom only)



Take note of the S2, S1 setting and restore it when programming is complete

| 1)  | 2)        | 3) |  |
|---|-----------|----|--|
| <p>Programming; set code, <a href="#">table B</a></p> <p>S1</p> | <p>S2</p> |    |  |
| <p>Cancellation</p> <p>DIP ON</p> <p>S1</p>                     | <p>S2</p> |    |  |


### Selective intercom addresses

You must set the intercom address on all the riser's internal units.

You can assign the same intercom address to a maximum of 3 internal units.

For group calls, select the desired intercom codes simultaneously (max. 3).

| TAB. B |               |    |      |               |    |
|--------|---------------|----|------|---------------|----|
| Code   | Dip switch ON | S1 | Code | Dip switch ON | S1 |
| 1      | 1             |    | 5    | 5             |    |
| 2      | 2             |    | 6    | 6             |    |
| 3      | 3             |    | 7    | 7             |    |
| 4      | 4             |    | 8    | 8             |    |

| DIP S2 |       |       |       |      |     |   | Art. 6721W(/BM) + Art. 6734 |      |      | DIP S1   |  |
|--------|-------|-------|-------|------|-----|---|-----------------------------|------|------|--|--|
| DIP 1  | DIP 2 | DIP 3 | DIP 4 | P1   | P2  | ☞ | P3                          | P4   | P5   | ADDRESS<br> |  |
| 0      | 0     | 0     | 0     |      |     |   |                             |      |      |  |  |
| 1      | 0     | 0     | 0     |      |     |   | INT                         | INTb |      |  |  |
| 0      | 1     | 0     | 0     | INT  |     | ☞ | INTb                        |      |      |  |  |
| 1      | 1     | 0     | 0     |      |     |   |                             |      |      |  |  |
| 0      | 0     | 1     | 0     |      |     |   |                             |      |      |  |  |
| 1      | 0     | 1     | 0     | INT  |     |   |                             |      | INTb |  |  |
| 0      | 1     | 1     | 0     |      |     |   |                             |      |      |  |  |
| 1      | 1     | 1     | 0     | INTb | INT |   |                             | INT  |      |  |  |
| 0      | 0     | 0     | 1     |      |     |   |                             |      | INTb |  |  |
| 1      | 0     | 0     | 1     |      |     | ☞ |                             |      |      |  |  |
| 0      | 1     | 0     | 1     |      |     |   |                             |      | INT  |  |  |
| 1      | 1     | 0     | 1     |      |     |   |                             |      |      |  |  |
| 0      | 0     | 1     | 1     | INTb |     |   | INT                         |      |      |  |  |
| 1      | 0     | 1     | 1     | INT  | INT |   | INT                         | INT  | INT  |  |  |
| 0      | 1     | 1     | 1     |      |     |   |                             |      |      |  |  |
| 1      | 1     | 1     | 1     |      |     |   | PROG                        |      |      |  |  |

**Example 1 - all systems (INCLUDING KITS!) - General intercom**

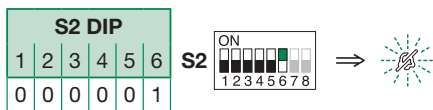
on a monitor with user code 5, P3 programming = general internal call, P4 = general intercom with address 9

**Example 2 - Selective intercom**

on a monitor with user code 1 and intercom address 1, P3 programming = selective intercom with address 2, P4 = selective intercom with address 3

1. Set S2 DIP switch 6 to the combination 01.

» the privacy LED flashes.



2. Refer to the table **Programming buttons for intercom call** and select a combination in which the intercom function (either INT or INTb) is listed for the keys you wish to program.

**E.g. 1:** for P3= general internal call, set S2 DIP switches 1-2-3-4 to the combination 1000 or 0011 or 1011 (P3=INT), set S1 with address 5 in accordance with **“addressing table”**, go to point 3.

**E.g. 1:** for P4= general intercom, set S2 DIP switches 1-2-3-4 to the combination 1110 or 1011 (P4=INT), set S1 with address 9 in accordance with **“addressing table”**, go to point 3.

**E.g. 2:** for P3= single-family intercom, set S2 DIP switches 1-2-3-4 to the combination 1000 or 0011 or 1011 (P3=INT), set S1 with address 2 in accordance with **table B**, go to point 3.

**E.g. 2:** for P4= selective intercom, set S2 DIP switches 1-2-3-4 to the combination 1110 or 1011 (P4=INT), set S1 with address 3 in accordance with **table B**, go to point 3.

3. Press and release the key to be associated with the function

» the lock-release LED lights up.

» a confirmation tone will sound.

4. To exit programming mode, set S2 DIP switches 5-6 to the combination 00

► the privacy LED switches off

5. When programming is complete, set S2 DIP switches 1-2-3-4 to the combination 1111. Restore the user code setting on S1, see **“addressing table”**.

## Direct programming of intercom call

Allows direct programming of intercom call via the internal units.

✓ Requires 2 operators

### Step 1: enter programming mode

**Operator 1 and Operator 2 carry out the following procedures on 2 internal units:**

1. Set S2 DIP switches 1-2 -3-4 to the combination 1111
2. Press the audio key
3. Press and hold the privacy and lock-release keys for 3 sec.
  - » The internal unit emits 1 tone.
  - » The privacy LED flashes.
  - » The internal unit enters audio mode.
  - » At this point the 2 operators will be communicating with each other.

### Step 2: intercom call programming

**Operator 1:**

- ▶ Press the key you want to program to call operator 2 (e.g. 2).
  - » The internal unit manned by operator 1 emits a confirmation tone.

**Operator 2:**

- ▶ Press the key you want to program to call operator 1 (e.g. 1).
  - » The internal unit manned by operator 2 emits a confirmation tone.

**Operator 1/ Operator 2:**

- ▶ Press the audio key.
  - » The internal unit emits 1 tone.
  - » Programming of the 2 internal units is now complete.

To program another internal unit, move on to STEP 3.

### Step 3: programming other internal units


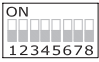


**Operator 1/ Operator 2:**

1. Once the new station has been reached, carry out step 1 to begin communication
2. Repeat step 2



*NOTE If a call is received during programming, it must be answered and the programming procedure resumed afterwards.*

**Programming keys for generic or coded actuator**

| DIP S2 |       |       |       |      |     |   | Art. 6721W(/BM) + Art. 6734 |     |     | DIP S1   |     |  |  |
|--------|-------|-------|-------|------|-----|---|-----------------------------|-----|-----|--|-----|--|--|
| DIP 1  | DIP 2 | DIP 3 | DIP 4 | P1   | P2  |  | P3                          | P4  | P5  | ADDRESS<br> |     |  |  |
| 0      | 0     | 0     | 0     | ACT  |     |  |                             |     |     |  |     |  |  |
| 1      | 0     | 0     | 0     |      |     |   |                             |     |     |  |     |  |  |
| 0      | 1     | 0     | 0     |      |     |   |                             | ACT |     |  |     |  |  |
| 1      | 1     | 0     | 0     | ACT  |     |   |                             |     |     |  |     |  |  |
| 0      | 0     | 1     | 0     | ACT  | ACT | ACT   | ACT                         | ACT | ACT |  |     |  |  |
| 1      | 0     | 1     | 0     |      | ACT |  |                             |     |     |  |     |  |  |
| 0      | 1     | 1     | 0     |      |     |   |                             |     |     |  |     |  |  |
| 1      | 1     | 1     | 0     |      |     |   |                             |     |     |  |     |  |  |
| 0      | 0     | 0     | 1     |      |     |   |                             |     |     |  |     |  |  |
| 1      | 0     | 0     | 1     |      |     |   |                             |     |     |  |     |  |  |
| 0      | 1     | 0     | 1     |      |     |   |                             | ACT |     |  |     |  |  |
| 1      | 1     | 0     | 1     |      |     |   |                             |     |     |  | ACT |  |  |
| 0      | 0     | 1     | 1     |      |     |   |                             | ACT |     |  |     |  |  |
| 1      | 0     | 1     | 1     |      |     |   |                             |     |     |  |     |  |  |
| 0      | 1     | 1     | 1     |      |     |   |                             |     |     |  |     |  |  |
| 1      | 1     | 1     | 1     | PROG |     |   |                             |     |     |  |     |  |  |

**Example:**

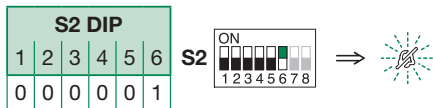
on a monitor with user code 5, P1 programming = generic actuator, P2 = coded actuator (code 125)



Take note of the DIP-switch settings

1. Set S2 DIP switch 6 to the combination 01.

» the privacy LED flashes.



2. Refer to the table **“Programming keys for generic or coded actuator”** and select a combination in which the actuator function (ACT) is listed for the keys you wish to program.

**E.g.:** for P1= generic actuator, set S2 DIP switches 1-2-3-4 to the combination 0000 or 1100 or 0010 (P1=ACT), set S1 DIP switches to the combination 11111111, go to point 3.

**E.g.:** for P2= coded actuator (code 125), set S2 DIP switches 1-2-3-4 to the combination 0010 or 1010 (P2=ACT), set S1 with address 125 in accordance with **“addressing table”**, go to point 3.

3. Press and release the key to be associated with the function.

» the lock-release LED lights up.

» a confirmation tone will sound.

4. To exit programming mode, set S2 DIP switches 5-6 to the combination 00.

» the privacy LED switches off.

5. When programming is complete, set S2 DIP switches 1-2-3-4 to the combination 1111. Restore the user code setting on S1, see **“addressing table”**.

## Programming buttons for other functions

| DIP S2 |       |       |       |      |      |      | Art. 6721W(/BM) + Art. 6734 |      |      |  |  |
|--------|-------|-------|-------|------|------|------|-----------------------------|------|------|--|--|
| DIP 1  | DIP 2 | DIP 3 | DIP 4 | P1   | P2   |      | P3                          | P4   | P5   |  |  |
| 0      | 0     | 0     | 0     |      | AI   |      | CCS                         | D    | PAN  |  |  |
| 1      | 0     | 0     | 0     | CCS  | AI   |      |                             |      | D    |  |  |
| 0      | 1     | 0     | 0     |      | AI   |      |                             |      | CCS  |  |  |
| 1      | 1     | 0     | 0     |      | CCS  |      | CCP                         | PAN  | K    |  |  |
| 0      | 0     | 1     | 0     |      |      |      |                             |      |      |  |  |
| 1      | 0     | 1     | 0     |      |      |      | CCS                         | CCP  |      |  |  |
| 0      | 1     | 1     | 0     | AI   | D    |      | K                           | CCS  | CCP  |  |  |
| 1      | 1     | 1     | 0     |      |      |      | AI                          |      | PAN  |  |  |
| 0      | 0     | 0     | 1     | CCS  | PAN  |      | D                           | AI   |      |  |  |
| 1      | 0     | 0     | 1     | K    | CCS  |      | PAN                         | CCP  | AI   |  |  |
| 0      | 1     | 0     | 1     | CCP  | K    |      | PAN                         |      |      |  |  |
| 1      | 1     | 0     | 1     | PAN  | CCP  |      | CCS                         | K    |      |  |  |
| 0      | 0     | 1     | 1     |      | AI   |      |                             |      | D    |  |  |
| 1      | 0     | 1     | 1     |      |      |      |                             |      |      |  |  |
| 0      | 1     | 1     | 1     | NULL | NULL | NULL | NULL                        | NULL | NULL |  |  |
| 1      | 1     | 1     | 1     | PROG |      |      |                             |      |      |  |  |

### Legend

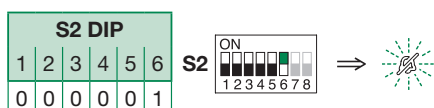
|      |  |
|------|--|
|      | Lock- release  |
| AI   | Self-ignition  |
| CCP  | Main switchboard call – not for use in systems with KIT      |
| CCS  | Secondary switchboard call – not for use in systems with KIT |
| K    | Guardian dooreentry phone call                               |
| D    | Doctor   |
| PAN  | Panic – not for use in systems with KIT                      |
| NULL | No function  |
| PROG | Programmed functions   |

### Example:

on a monitor with user code 5, P1 programming = self-ignition, P4 = Secondary switchboard call.

- Set S2 DIP switch 6 to the combination 01.

» the privacy LED flashes.



- Refer to the table **“Programming buttons for other functions”** and select a combination in which the desired/necessary functions are listed for the keys you wish to program.

**E.g. 1:** for P1= self-ignition, P4= switchboard call, set S2 DIP switches 1-2-3-4 to the combination 0110 (P1=AI, P4=CCS).

- Press and release the keys to which you wish to assign the functions

» the lock-release LED lights up.  
 » une tonalité de confirmation retentit.

- To exit programming mode, set S2 DIP switches 5-6 to the combination 00

» the privacy LED switches off.

- When programming is complete, set S2 DIP switches 1-2-3-4 to the combination 1111.

## Programming range



Take note of the S2, S1 setting and restore it when programming is complete

Carry out steps 1 to 4

|                       | 1) | 2) | 3) | 4)   |
|-----------------------|----|----|----|------|
| Range minimum address |    |    |    | <br> |
| Range maximum address |    |    |    |      |
| Enable range          |    |    |    |      |
| Disable range         |    |    |    |      |
| Deleting the range    |    |    |    |      |

## Monitor ringtone selection

1. Press and hold for 6 sec.
  - » a confirmation tone will sound
  - » the privacy LED will flash to indicate “programming” mode.
- ✓ The procedure can only take place while the system is in standby; otherwise the privacy LED will flash 4 times to inform the user that the system is engaged
2. Press and release
  - Once** (1 confirmation tone is emitted) to change the ringtone for calls from the external unit.
  - Twice** (2 confirmation tones are emitted) to change the ringtone for calls from the switchboard.
  - 3 times** (3 confirmation tones are emitted) to change the ringtone for intercom calls made from the internal unit.
  - 4 times** (4 confirmation tones are emitted) to change the floor door call ringtone.

Any further pressing of the key repeats the sequence described above.
3. Press and release to scroll through the various available ringtones in sequence.
4. Press to confirm selection of the last ringtone heard and to exit (at any time) change monitor ringtone mode.
  - » one confirmation tone is emitted
  - » the privacy LED switches off
5. Repeat steps 1 to 4 to change the other ringtones.



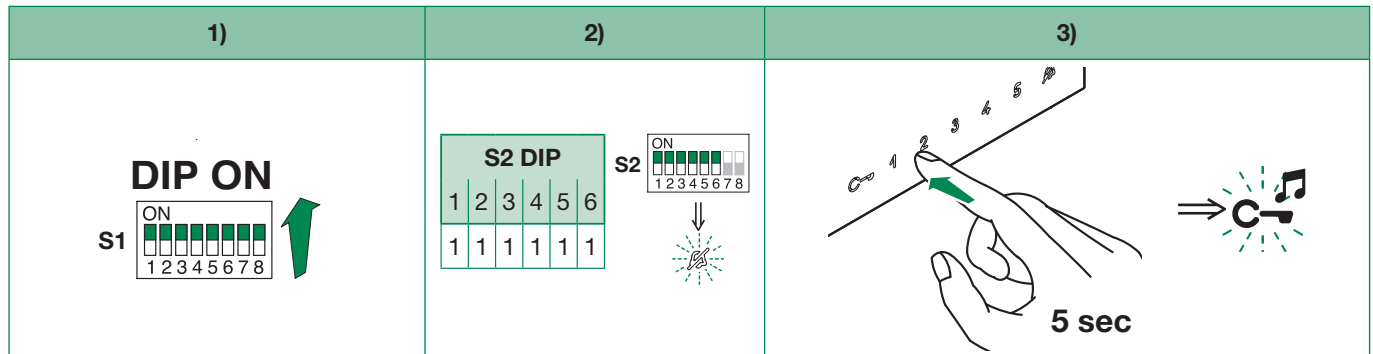
## Programming reset

### Factory settings:

- Button functions for the S2 DIP switch 1-2-3-4 combination;
- Intercom address absent;
- Range function and min./max. addresses absent;
- Ringtone reset.



Take note of the S2, S1 setting and restore it when programming is complete



## System performance and layouts

For further information of system performance and to view installation layouts, click on the type of system that best meets your needs :

- [Audio/video kit](#) for the creation of audio-video systems for *individual residences*
- [Building Kit audio/video system](#) for the creation of audio-video systems for *small apartment blocks*
- [SBTOP audio/video system](#) for the creation of audio-video systems for *residential complexes*.

CERTIFIED MANAGEMENT SYSTEMS



[www.comelitgroup.com](http://www.comelitgroup.com)

Via Don Arrigoni, 5 - 24020 Rovetta (BG) - Italy

