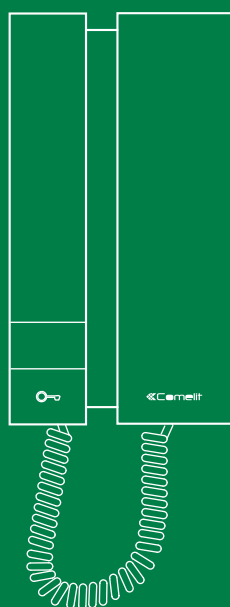


EN

TECHNICAL
MANUAL



Door-entry phone Art. 2708W

 **Comelit**[®]
Passion. Technology. Design.

Warning

Intended use

This Comelit product was designed for use in the creation of audio and video communication systems in residential, commercial or industrial settings and in public buildings or buildings used by the public.

Installation

All activities connected to the installation of Comelit products must be carried out by qualified technical personnel, with careful observation of the indications provided in the Manuals / Instruction sheets supplied with those products.

Wires

Use wires with a cross-section suited to the distances involved, observing the instructions provided in the system manual.

We advise against running the system wires through the same duct as the power cables (230V or higher).

Safe usage

To ensure Comelit products are used safely:

- carefully observe the indications provided in the Manuals / Instruction sheets
- make sure the system created using Comelit products has not been tampered with / damaged.

Maintenance

Comelit products do not require maintenance aside from routine cleaning, which should be carried out in accordance with the indications provided in the Manuals / Instruction sheets.

Any repair work must be carried out

- for the products themselves, exclusively by **Comelit Group S.p.A.**,
- for systems, by qualified technical personnel.

Disclaimer

Comelit Group S.p.A. does not assume any responsibility for

- any usage other than the intended use
- non-observance of the indications and warnings contained in this Manual / Instruction sheet.

Comelit Group S.p.A. nonetheless reserves the right to change the information provided in this Manual / Instruction sheet at any time and without prior notice

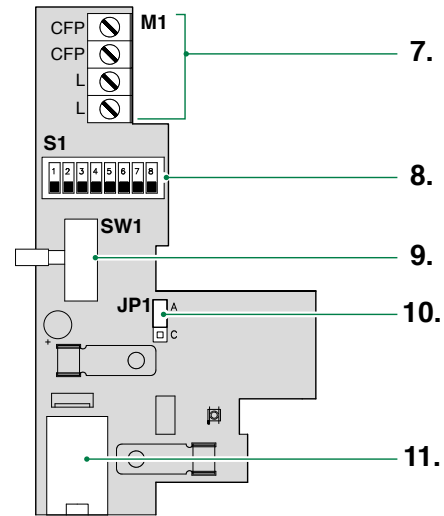
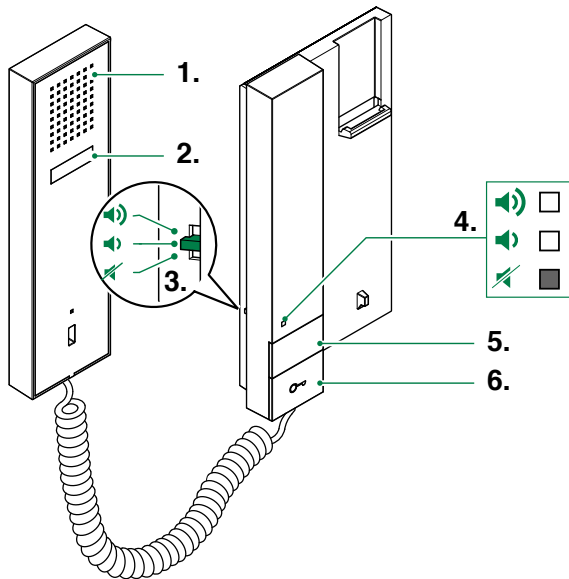
Table of contents

Warning	2
Description.....	3
Technical characteristics.....	4
Installation.....	5
Connections.....	6
Connection to the door entry riser and the floor door call button	6
Programming	6
Dip switch programming table.....	7
EXAMPLE: dip switch setting for code 200	7
Operating distances	8
Maximum system expansion.....	8
Wiring diagram	9
Door-entry phone system for one entrance with audio external unit.	
Switching on/voltage check with system in standby.....	9

Description


Art. **2708W** is a door-entry phone complete with 1 key button, 1 P1 button and a 3-position ringtone / Privacy service selector, which can be used in SB1 systems.

Dimensions 105×190×28 mm.



1. Loudspeaker.

2 Audio hook.

 **Do not press and hold the audio hook while the handset is lifted.**

3. 3-position ringtone/Privacy service selector:

High position: Maximum ringtone volume.

Middle position: Medium ringtone volume.

Low position: Privacy function activation (privacy service means exclusion of the call ringtone from the external unit and switchboard).

4 Red indicator - Privacy enabled.

5. **P1** button for switchboard call / generic actuator.

6. Key button.

7. Terminal block **M1**:

CFP CFP floor door call input

LL bus line connection

8. Dip switch for setting user code (See [“Dip switch programming table”](#)).

9. 3-position selector for Call tone/Privacy service.

10. **JP1** jumper for selecting the Generic actuator/ Switchboard call function of button P1.



A Generic Actuator



C Switchboard

11. Handset connector.

Technical characteristics

MAIN SPECIFICATIONS

System	SimplebusTop (S1)
Audio system	Yes
Audio/video system	No
Wall-mounted	Yes
Desk base-mounted	Yes
Hands-free function	-
Induction loop function	-
Product color	White
Total buttons	2
LED signaling	No

FUNCTIONS

Actuator control function	Yes
Switchboard call function	Yes
Panic call	-
General intercom call	-
Selective intercom call	-
Privacy function	Yes
Doctor	-
Floor door call function	Yes
Electronic bell	Yes
Customisable ringtone	-

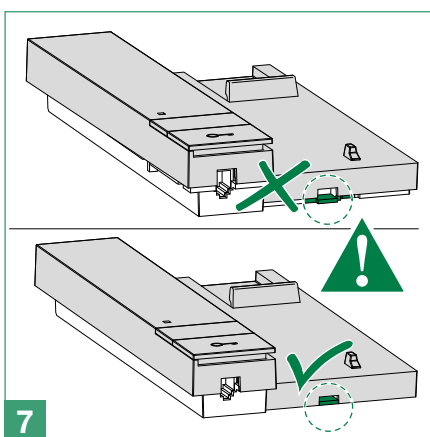
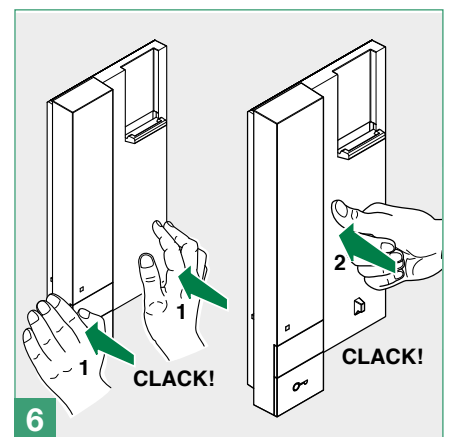
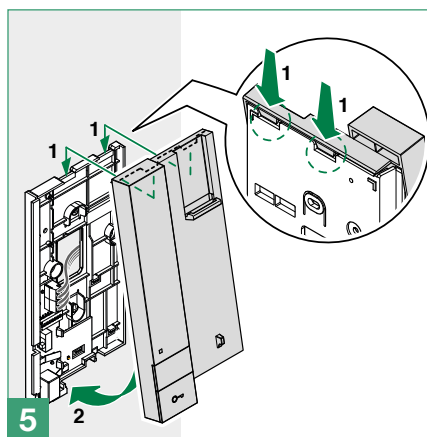
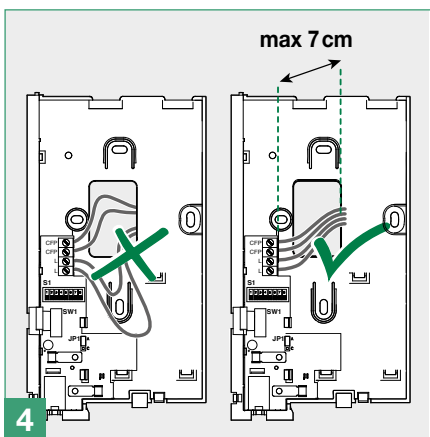
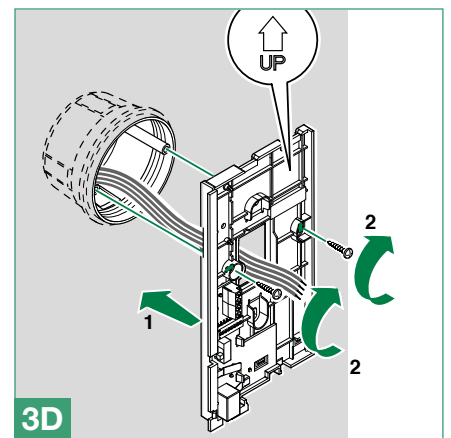
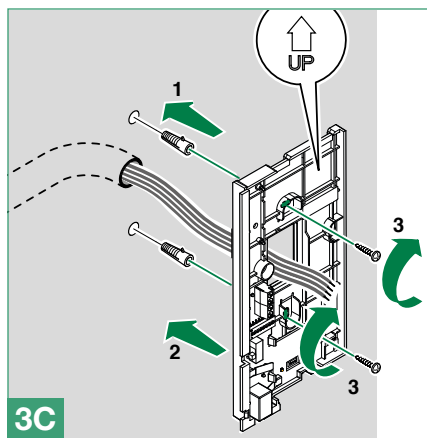
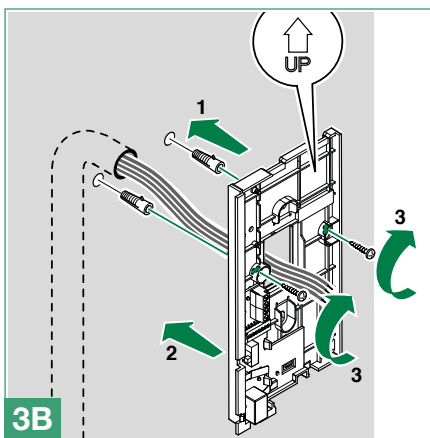
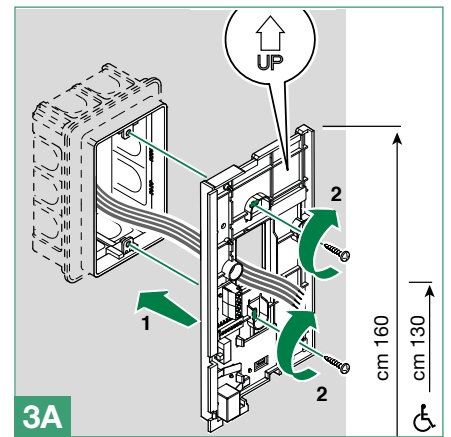
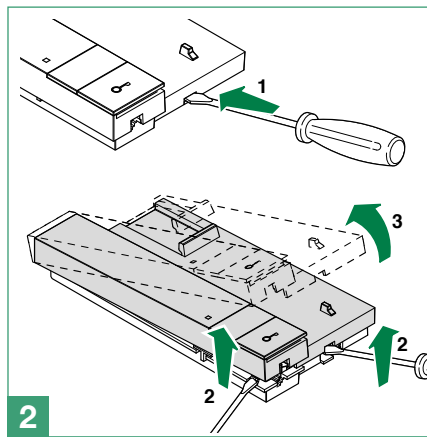
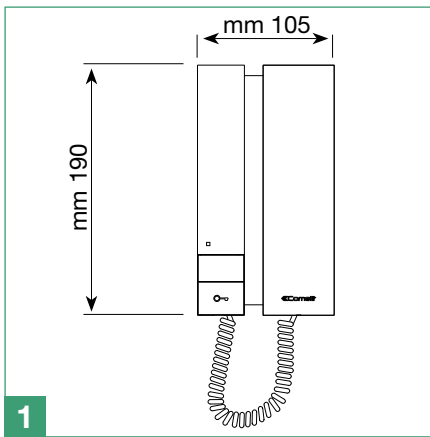
SETTINGS

Loudspeaker volume control	Yes
Ringtone volume control	Yes

TECHNICAL SPECIFICATIONS

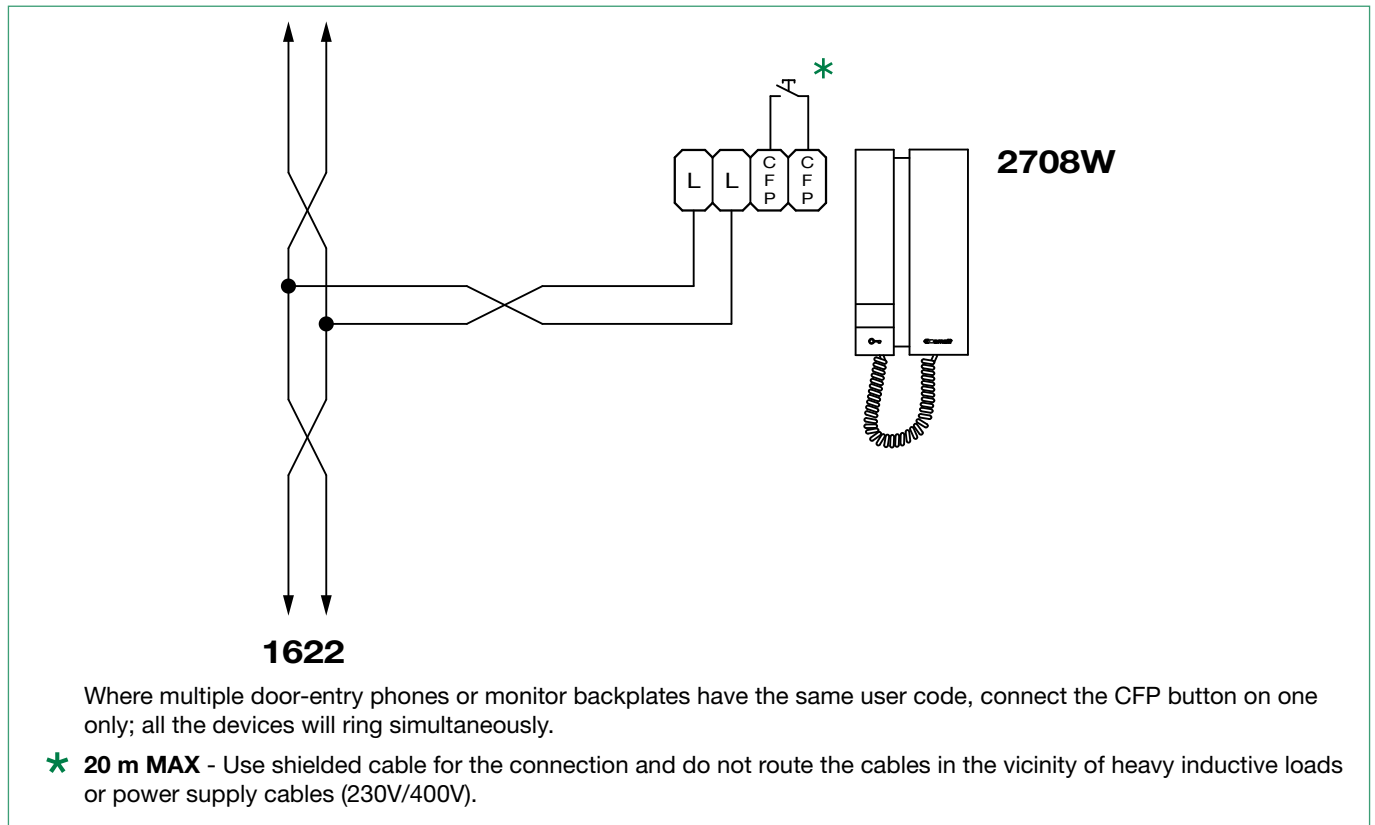
Supply voltage	20 ÷ 28 Vdc
Power consumption stand-by (mA)	0,710 ÷ 0,715 mA
In called absorption (mA)	20 ÷ 23 mA
In communication absorption (mA)	20 ÷ 22 mA
Microphone	Ø 9,6 x 6,9 mm
Speaker	Ø 0,50 mm ; Max Input Power 0,5W
IP Rating	30
Operating temperature (°C)	-5/40
Relative humidity for operation:	between 25 % and 75 %
Dimensions (L x H x D) mm	105 x 190 x 28
Product weight (g)	0,257 Kg
Clamps	L,L,CFP,CFP

Installation



Connections

Connection to the door entry riser and the floor door call button



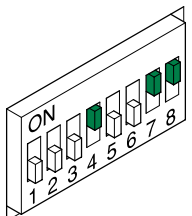
Programming

- Each door-entry phone in the system is identified by means of its own code. This code must be set using the Dip switch on the phone card.
- The user code must be set according to the corresponding information provided in the programming table (see: [“Dip switch programming table”](#)).
- Coding can take place at any time, even without a power supply.

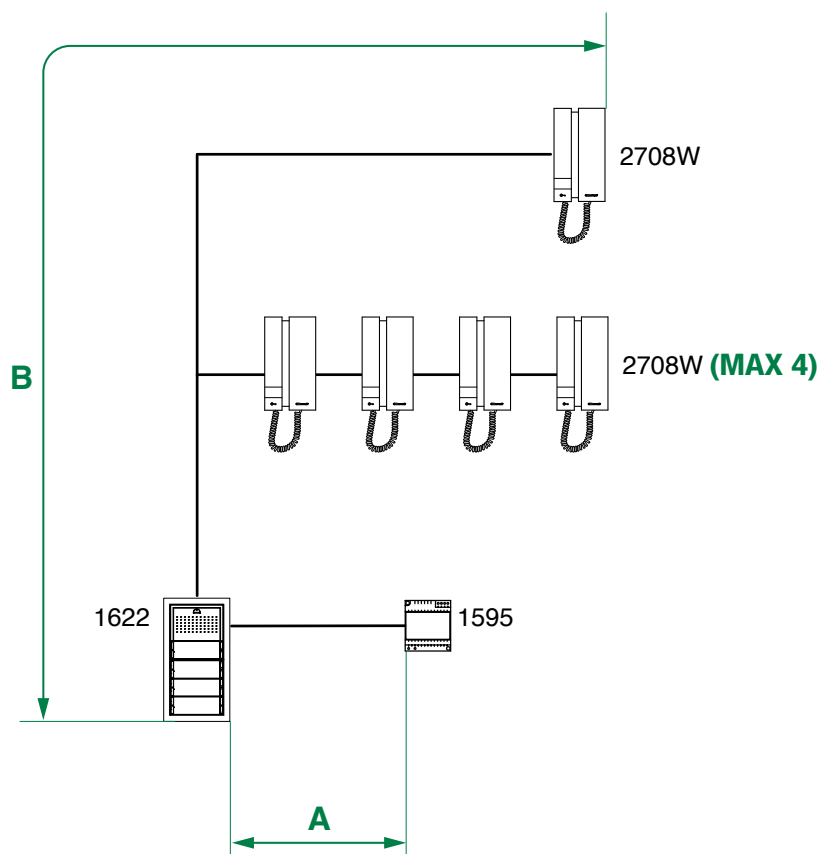
Dip switch programming table



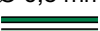
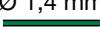

Code	Dip switch ON	Code	Dip switch ON	Code	Dip switch ON	Code	Dip switch ON	Code	Dip switch ON	Code	Dip switch ON	Code	Dip switch ON	Code	Dip switch ON
1	1	31	1,2,3,4,5	61	1,3,4,5,6	91	1,2,4,5,7	121	1,4,5,6,7	151	1,2,3,5,8	181	1,3,5,6,8	211	1,2,5,7,8
2	2	32	6	62	2,3,4,5,6	92	3,4,5,7	122	2,4,5,6,7	152	4,5,8	182	2,3,5,6,8	212	3,5,7,8
3	1,2	33	1,6	63	1,2,3,4,5,6	93	1,3,4,5,7	123	1,2,4,5,6,7	153	1,4,5,8	183	1,2,3,5,6,8	213	1,3,5,7,8
4	3	34	2,6	64	7	94	2,3,4,5,7	124	3,4,5,6,7	154	2,4,5,8	184	4,5,6,8	214	2,3,5,7,8
5	1,3	35	1,2,6	65	1,7	95	1,2,3,4,5,7	125	1,3,4,5,6,7	155	1,2,4,5,8	185	1,4,5,6,8	215	1,2,3,5,7,8
6	2,3	36	3,6	66	2,7	96	6,7	126	2,3,4,5,6,7	156	3,4,5,8	186	2,4,5,6,8	216	4,5,7,8
7	1,2,3	37	1,3,6	67	1,2,7	97	1,6,7	127	1,2,3,4,5,6,7	157	1,3,4,5,8	187	1,2,4,5,6,8	217	1,4,5,7,8
8	4	38	2,3,6	68	3,7	98	2,6,7	128	8	158	2,3,4,5,8	188	3,4,5,6,8	218	2,4,5,7,8
9	1,4	39	1,2,3,6	69	1,3,7	99	1,2,6,7	129	1,8	159	1,2,3,4,5,8	189	1,3,4,5,6,8	219	1,2,4,5,7,8
10	2,4	40	4,6	70	2,3,7	100	3,6,7	130	2,8	160	6,8	190	2,3,4,5,6,8	220	3,4,5,7,8
11	1,2,4	41	1,4,6	71	1,2,3,7	101	1,3,6,7	131	1,2,8	161	1,6,8	191	1,2,3,4,5,6,8	221	1,3,4,5,7,8
12	3,4	42	2,4,6	72	4,7	102	2,3,6,7	132	3,8	162	2,6,8	192	7,8	222	2,3,4,5,7,8
13	1,3,4	43	1,2,4,6	73	1,4,7	103	1,2,3,6,7	133	1,3,8	163	1,2,6,8	193	1,7,8	223	1,2,3,4,5,7,8
14	2,3,4	44	3,4,6	74	2,4,7	104	4,6,7	134	2,3,8	164	3,6,8	194	2,7,8	224	6,7,8
15	1,2,3,4	45	1,3,4,6	75	1,2,4,7	105	1,4,6,7	135	1,2,3,8	165	1,3,6,8	195	1,2,7,8	225	1,6,7,8
16	5	46	2,3,4,6	76	3,4,7	106	2,4,6,7	136	4,8	166	2,3,6,8	196	3,7,8	226	2,6,7,8
17	1,5	47	1,2,3,4,6	77	1,3,4,7	107	1,2,4,6,7	137	1,4,8	167	1,2,3,6,8	197	1,3,7,8	227	1,2,6,7,8
18	2,5	48	5,6	78	2,3,4,7	108	3,4,6,7	138	2,4,8	168	4,6,8	198	2,3,7,8	228	3,6,7,8
19	1,2,5	49	1,5,6	79	1,2,3,4,7	109	1,3,4,6,7	139	1,2,4,8	169	1,4,6,8	199	1,2,3,7,8	229	1,3,6,7,8
20	3,5	50	2,5,6	80	5,7	110	2,3,4,6,7	140	3,4,8	170	2,4,6,8	200	4,7,8	230	2,3,6,7,8
21	1,3,5	51	1,2,5,6	81	1,5,7	111	1,2,3,4,6,7	141	1,3,4,8	171	1,2,4,6,8	201	1,4,7,8	231	1,2,3,6,7,8
22	2,3,5	52	3,5,6	82	2,5,7	112	5,6,7	142	2,3,4,8	172	3,4,6,8	202	2,4,7,8	232	4,6,7,8
23	1,2,3,5	53	1,3,5,6	83	1,2,5,7	113	1,5,6,7	143	1,2,3,4,8	173	1,3,4,6,8	203	1,2,4,7,8	233	1,4,6,7,8
24	4,5	54	2,3,5,6	84	3,5,7	114	2,5,6,7	144	5,8	174	2,3,4,6,8	204	3,4,7,8	234	2,4,6,7,8
25	1,4,5	55	1,2,3,5,6	85	1,3,5,7	115	1,2,5,6,7	145	1,5,8	175	1,2,3,4,6,8	205	1,3,4,7,8	235	1,2,4,6,7,8
26	2,4,5	56	4,5,6	86	2,3,5,7	116	3,5,6,7	146	2,5,8	176	5,6,8	206	2,3,4,7,8	236	3,4,6,7,8
27	1,2,4,5	57	1,4,5,6	87	1,2,3,5,7	117	1,3,5,6,7	147	1,2,5,8	177	1,5,6,8	207	1,2,3,4,7,8	237	1,3,4,6,7,8
28	3,4,5	58	2,4,5,6	88	4,5,7	118	2,3,5,6,7	148	3,5,8	178	2,5,6,8	208	5,7,8	238	2,3,4,6,7,8
29	1,3,4,5	59	1,2,4,5,6	89	1,4,5,7	119	1,2,3,5,6,7	149	1,3,5,8	179	1,2,5,6,8	209	1,5,7,8	239	1,2,3,4,6,7,8
30	2,3,4,5	60	3,4,5,6	90	2,4,5,7	120	4,5,6,7	150	2,3,5,8	180	3,5,6,8	210	2,5,7,8	240	5,6,7,8

EXAMPLE: dip switch setting for code 200



Operating distances



	A MAX	B MAX
1 mm ² (Ø 1,2 mm AWG 17) 	50 m (165 feet)	500 m (1625 feet)
0,28 mm ² (Ø 0,6 mm AWG 23) 	5 m (15 feet)	300 m (990 feet)
0,5 mm ² (Ø 0,8 mm AWG 20) 	25 m (85 feet)	400 m (1315 feet)
1,5 mm ² (Ø 1,4 mm AWG 15) 	75 m (245 feet)	600 m (1980 feet)
2,5 mm ² (Ø 1,8 mm AWG 13) 	100 m (330 feet)	800 m (2600 feet)

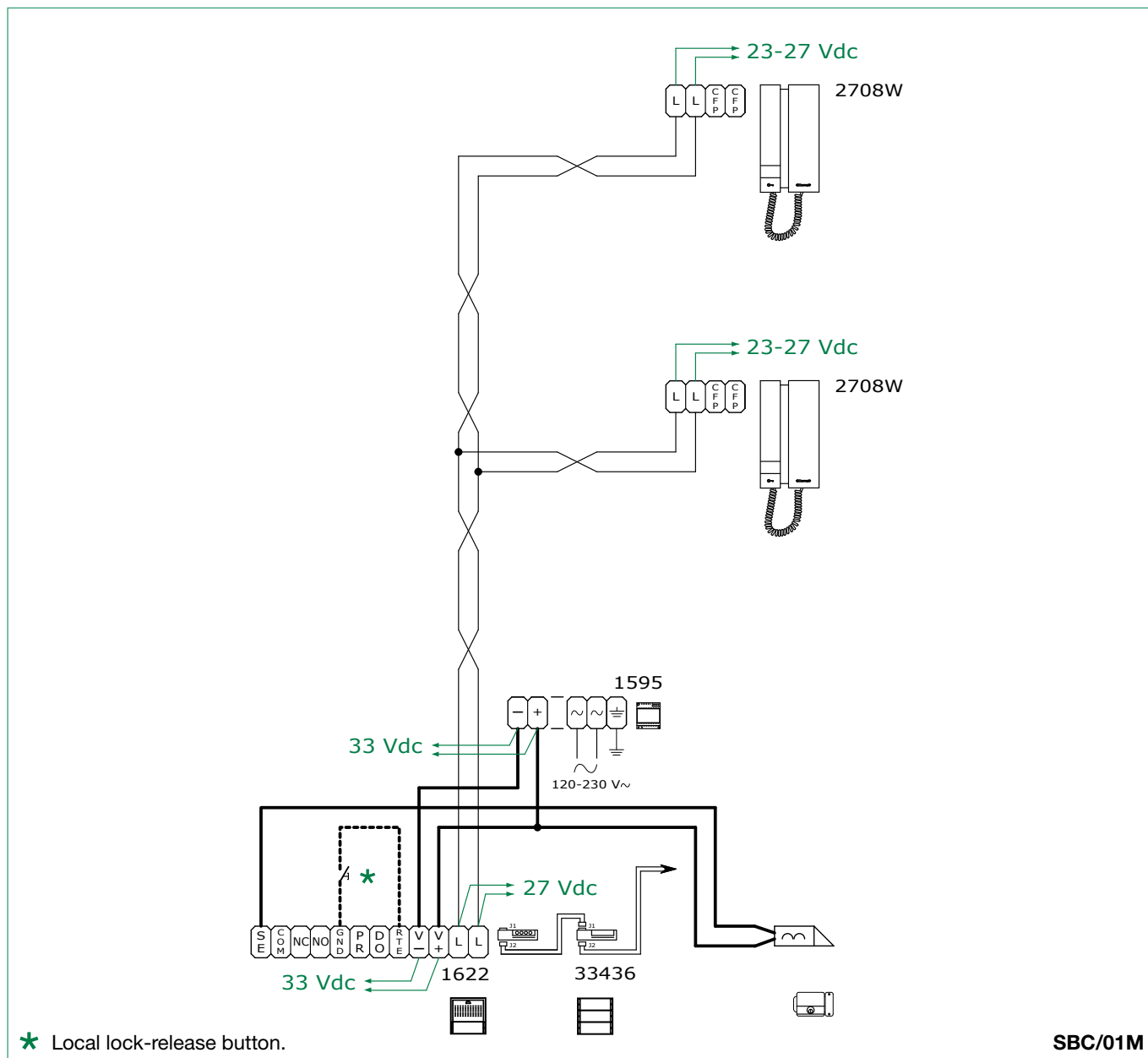
Maximum system expansion

- Maximum number of internal units that can be powered from art. 1595: **100***
- Max. number of internal units with the same user code: **4**

*with 100 internal units the audio sound level is 74 dB(A), with 75 internal units the audio sound level is greater, at 77 dB(A).

Wiring diagram

Door-entry phone system for one entrance with audio external unit. Switching on/voltage check with system in standby.



CERTIFIED MANAGEMENT SYSTEMS



www.comelitgroup.com

Via Don Arrigoni, 5 - 24020 Rovetta (BG) - Italy

